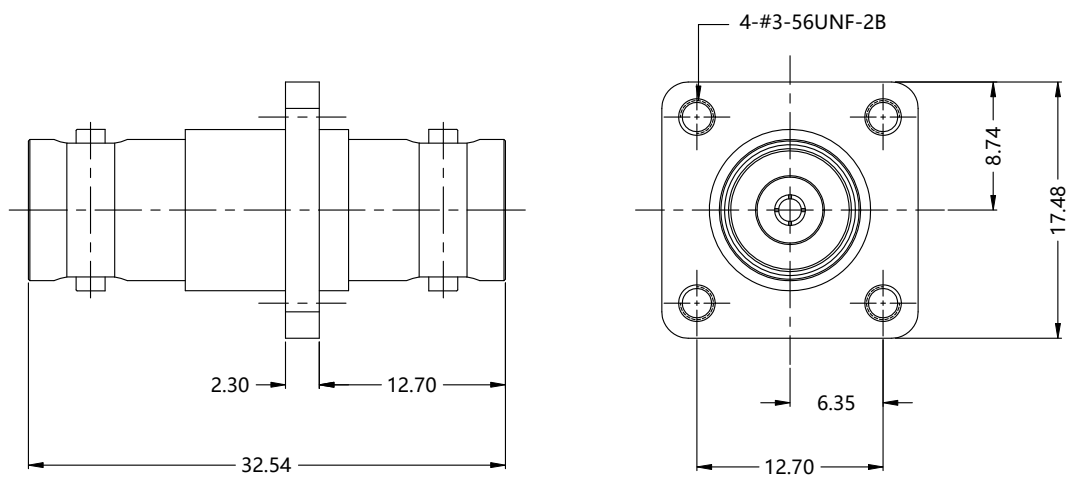


REV.	DESCRIPTION	ECN NO.	NAME	DATE
0	FIRST EDITION	N/A	Flame	2021-07-22



ALL PARTS MUST MEET TO RoHS REQUIREMENTS



MATERIALS AND PLATING		UNIT: MICRO-INCHES
PART NAME	MATERIALS	PLATING
BODY	BRASS C3604	PL.NICKEL100~200u"/COPPER
INSULATOR	PTFE MIL-P-19468	N/A
CONTACT PIN	BERYLIUM COPPER	PL.SILVER 80~120u"/COPPER

ELECTRICAL CHARACTERISTICS		
IMPEDANCE	50 Ω	
VOLTAGE RATING	500 V(rms)	
FREQUENCY RANGE	0~4 GHz	
DIELECTRIC WITHSTANDING VOLTAGE	>1500 V	
CONTACT RESISTANCE	CENTER CONTACT	<1.5 mΩ
	OUTER CONTACT	<0.5 mΩ
INSULATION RESISTANCE	>5000 MΩ	
INSERTION LOSS	0.1x√F(GHz) dB	
VSWR	<1.2 @ DC~4 GHz	
3RD INTERMODULATION	N/A	

MECHANICAL CHARACTERISTICS	
FORCE TO ENGAGE AND DISENGAGE	N/A
CENTER CONTACT RETENTION FORCE	>6 lbs
DURABILITY	>500cycles

ENVIRONMENTAL PARAMETER	
TEMPERATURE RANGE	-40 °C~+85 °C

CUSTOMER OUTLINE DRAWING

*** CUSTOMER OUTLINE DRAWING**

UNLESS OTHERWISE SPECIFIED:
 1) EDGES : C0.15 MAX ;
 2) REMOVE ALL BURRS ;
 3) SURFACE ROUGHNESS : Ra1.6 ;
 4) UNITS : mm ;
 5) DIMENSIONS TOLERANCES
 DECIMALS : .x ±0.3 .xx ±0.2 .xxx±0.1;
 ANGLES : ± 5°.

THIRD ANGLE PROJECTION	
APPROVED :	CUSTOMER P/N : 135-002459
CHECKED :	SCALE : 2 : 1
DRAWING : Flame	DATE : 2021-07-22
	PAGE : 1/1

TITLE : BNC FEMALE TO BNC FEMALE
4 HOLE FLANGE ADAPTER 50Ω

DRAWING NO. :
5BNF06S-BNF-018

COMPANY WEBSITE : www.slkcorp.com