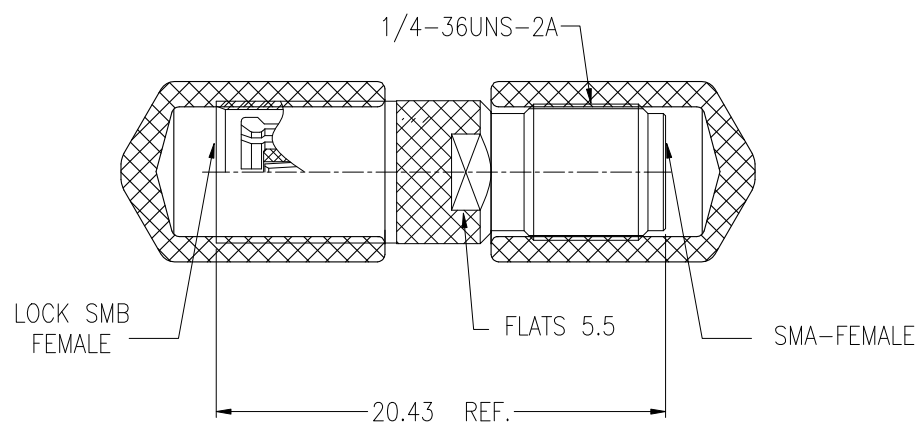


REV.	DESCRIPTION	ECN NO.	NAME	DATE
0	FIRST EDITION	N/A	YJY	2021-06-23



ALL PARTS MUST MEET TO RoHS REQUIREMENTS



MATERIALS AND PLATING UNIT: MICRO-INCHES		
PART NAME	MATERIALS	PLATING
BODY	BRASS C3604	GOLD 2 u"/NICKEL//COPPER
INSULATOR	PTFE MIL-P-19468	N/A
CONTACT PIN	BERYLLIUM COPPER	GOLD 3 u"/NICKEL//COPPER
OUT CONTACT	BERYLLIUM COPPER	GOLD 2 u"/NICKEL//COPPER

ELECTRICAL CHARACTERISTICS		
Impedance	50 Ω	
Voltage rating	170 V(rms)	
Frequency range	0 ~ 6 GHz	
Dielectric withstanding voltage	>1000 V	
Contact resistance	Center contact	<8.0 mΩ
	Outer contact	<1.5 mΩ
Insulation resistance	>1000 MΩ	
Insertion loss	N/A	
VSWR	<1.15 @DC~ 6GHz	
(3rd Intermodulation)	N/A	

MECHANICAL CHARACTERISTICS	
Force to engage and disengage	N/A
Center contact retention force	>4 lbs
Recommended coupling torque	N/A
Coupling nut retention force	N/A
Durability	>500 cycles

ENVIRONMENTAL PARAMETER	
Temperature range	-40 °C~ +125 °C
Thermal shock	MIL- STD 202, Meth. 107,Cond. B
Vibration	MIL- STD 202, Meth. 204,Cond. B
Shock	MIL- STD 202, Meth. 213,Cond. I

*** CUSTOMER OUTLINE DRAWING**

UNLESS OTHERWISE SPECIFIED:
 1) EDGES : C0.15 MAX ;
 2) REMOVE ALL BURRS ;
 3) SURFACE ROUGHNESS : Ra1.6 ;
 4) UNITS : mm ;
 5) DIMENSIONS TOLERANCES
 DECIMALS : .x ±0.5 .xx ±0.3 .xxx±0.2;
 ANGLES : ± 8°.

THIRD ANGLE PROJECTION		
APPROVED :	CUSTOMER P/N :	-
CHECKED :	SCALE :	1 : 1
DRAWING :	DATE :	2021-06-23
PAGE : 1/1		

SLK
 SUPERLINK

TITLE : LOCK SMB FEMALE S/T TO SMA FEMALE ADAPTER ,50Ω

DRAWING NO. : 5LBF06S-MAF

COMPANY WEBSITE : www.slkcorp.com

CUSTOMER OUTLINE DRAWING