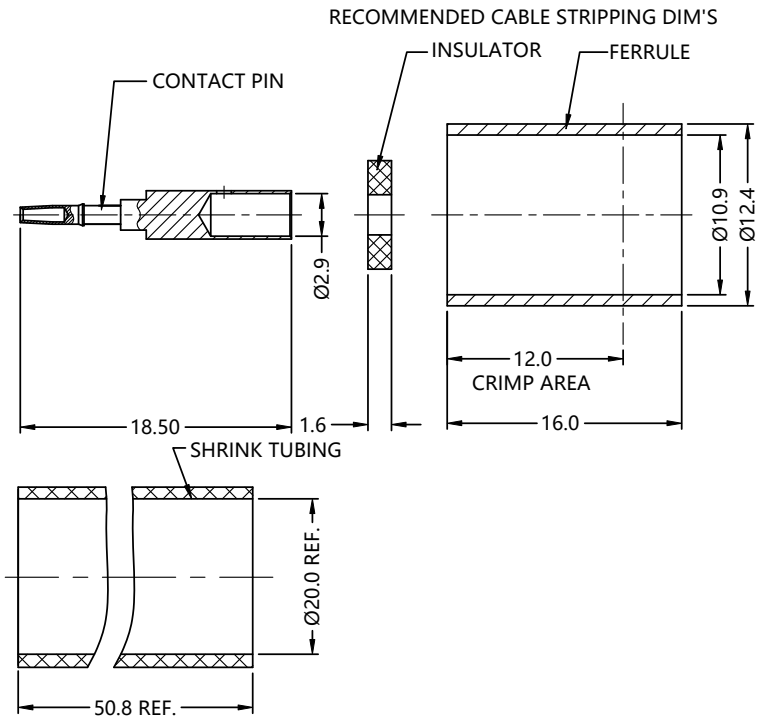
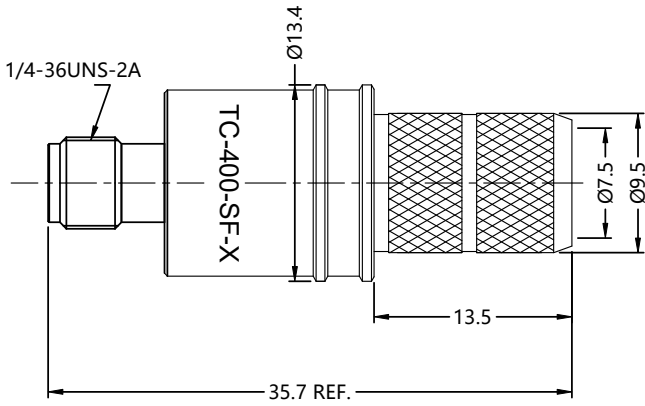
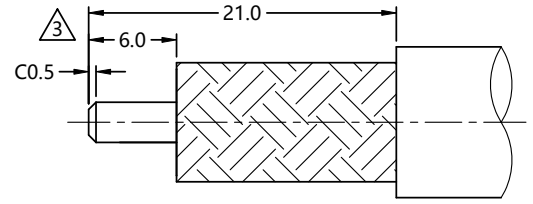


REV	DESCRIPTION	ECN NO	NAME	DATE
3	STRUCTURAL CHANGE	N/A	WMB	2018-05-22
4	UPDATE DRAWING	N/A	Liu	2021-07-20



ALL PARTS MUST MEET TO RoHS REQUIREMENTS

REMARK:  
 1. CONTACT PIN TO SOLDER OR CRIMP .116" HEX.  
 2. ADDS SIZE: 16.2mm  
 3. FERRULE HEX. CRIMP SIZE .429"



MATERIALS AND PLATING		UNIT: MICRO-INCHES	ELECTRICAL CHARACTERISTICS	
BODY	BRASS C3604	ALBALOY 80 u"/COPPER	IMPEDANCE	50 Ω
CONTACT PIN	BERYLLIUM COPPER	GOLD 50 u"/NICKEL/COPPER	VOLTAGE RATING	335 V(rms)
INSULATOR	PTFE ASTM-D-1710	N/A	FREQUENCY RANGE	0~6 GHz
FERRULE	COPPER	ALBALOY 80 u"/COPPER	DIELECTRIC WITHSTANDING VOLTAGE	>500 V
			CONTACT RESISTANCE	CENTER CONTACT <3.0 mΩ OUTER CONTACT <2.0 mΩ
			INSULATION RESISTANCE	>5000 MΩ
			INSERTION LOSS	<0.1√F dB
			VSWR	<1.3
			3RD INTERMODULATION	N/A
MECHANICAL CHARACTERISTICS			ENVIRONMENTAL CHARACTERISTICS	
FORCE TO ENGAGE AND DISENGAGE		N/A	TEMPERATURE RANGE	
CENTER CONTACT RETENTION FORCE		N/A	-40 °C~+125 °C	
RECOMMENDED COUPLING TORQUE		N/A		
COUPLING NUT RETENTION FORCE		N/A		
DURABILITY		>500 cycles		

\* CUSTOMER OUTLINE DRAWING

UNLESS OTHERWISE SPECIFIED:  
 1) C0.15 MAX;  
 2) REMOVE ALL BURRS;  
 3) SURFACE ROUGHNESS : Ra1.6;  
 4) UNITS:mm;  
 5) DIMENSIONS TOLERANCES  
 DECIMALS .x ±0.3 .xx ±0.2 .xxx±0.1  
 ANGLES ±5°

THIRD ANGLE PROJECTION			
APPROVED:	CUSTOMER P/N:	-	
CHECKED:	SCALE:	2:1	
DRAWING:	DATE:	2021-07-21	
		COMPANY WEBSITE: www.slkcorp.com	

**SLK**  
 SUPERLINK

TITLE: SMA FEMALE S/T CRIMP FOR LMR-400 CABLE,50Ω

DRAWING NO: 5MAF11S-A11-002

CUSTOMER OUTLINE DRAWING