
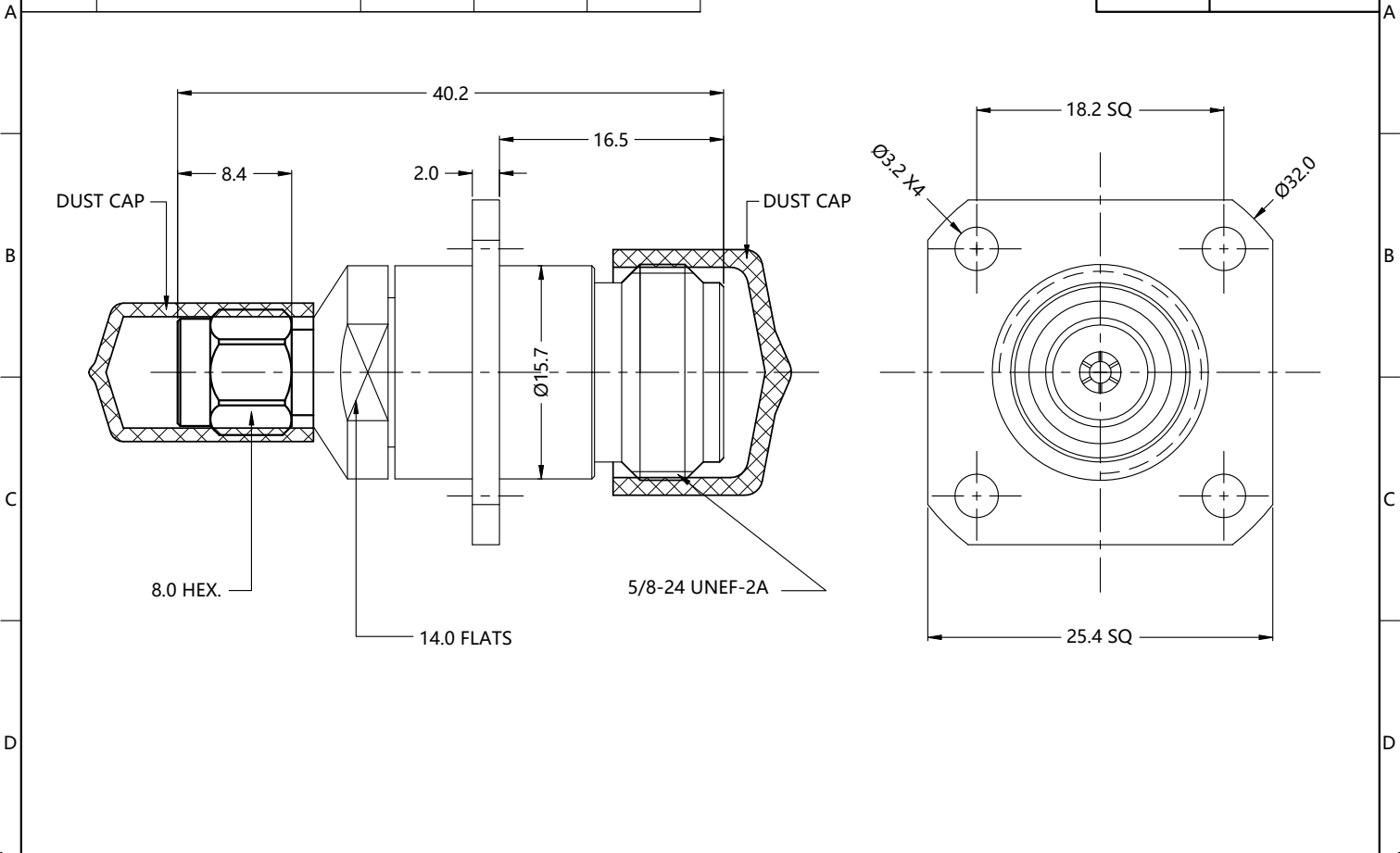


REV.	DESCRIPTION	ECN NO.	NAME	DATE	 ALL PARTS MUST MEET TO RoHS REQUIREMENTS
0	FIRST EDITION	N/A	Flame	2021-07-22	



MATERIALS AND PLATING		UNIT: MICRO-INCHES
PART NAME	MATERIALS	PLATING
BODY	STAINLESS STEEL	PASSIVATION
INSULATOR	PTFE ASTM-D-1710	N/A
CONTACT PIN	BERYLLIUM COPPER	GOLD 50 $\mu$ "/NICKEL/COPPER
GASKET	SILICONE	N/A

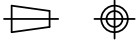
ELECTRICAL CHARACTERISTICS	
IMPEDANCE	50 $\Omega$
VOLTAGE RATING	480 V(rms)
FREQUENCY RANGE	0 ~ 18 GHz
DIELECTRIC WITHSTANDING VOLTAGE	>1000 V
CONTACT RESISTANCE	CENTER CONTACT <3.0 m $\Omega$
	OUTER CONTACT <2.0 m $\Omega$
INSULATION RESISTANCE	>1000 M $\Omega$
INSERTION LOSS	<0.1X $\sqrt{F}$ GHz
RETURN LOSS	>23dB
3RD INTERMODULATION	N/A

MECHANICAL CHARACTERISTICS	
FORCE TO ENGAGE AND DISENGAGE	N/A
CENTER CONTACT RETENTION FORCE	N/A
RECOMMENDED COUPLING TORQUE	7-10 in-lbs
COUPLING NUT RETENTION FORCE	60 lbs MIN.
DURABILITY	$\geq 500$ cycles

ENVIRONMENTAL PARAMETER	
TEMPERATURE RANGE	-40 $^{\circ}$ C ~ +85 $^{\circ}$ C
THERMAL SHOCK	MIL- STD 202, Meth. 107, Cond. B
VIBRATION	MIL- STD 202, Meth. 204, Cond. B
SHOCK	MIL- STD 202, Meth. 213, Cond. I

**\* CUSTOMER OUTLINE DRAWING**

UNLESS OTHERWISE SPECIFIED:  
 1) EDGES : C0.15 MAX ;  
 2) REMOVE ALL BURRS ;  
 3) SURFACE ROUGHNESS : Ra1.6 ;  
 4) UNITS : mm ;  
 5) DIMENSIONS TOLERANCES  
 DECIMALS : .x  $\pm 0.3$  .xx  $\pm 0.2$  .xxx  $\pm 0.1$  ;  
 ANGLES :  $\pm 5^{\circ}$ .

THIRD ANGLE PROJECTION		
APPROVED :	CUSTOMER P/N :	
CHECKED :	SCALE :	
DRAWING :	DATE :	
	Flame	PAGE : 1/1



**TITLE :** N FEMALE TO SMA MALE S/T ADAPTOR

**DRAWING NO. :** 5MAM06S-NCF-016

**COMPANY WEBSITE :** www.slkcorp.com

CUSTOMER OUTLINE DRAWING