
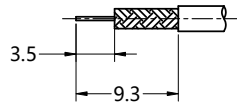
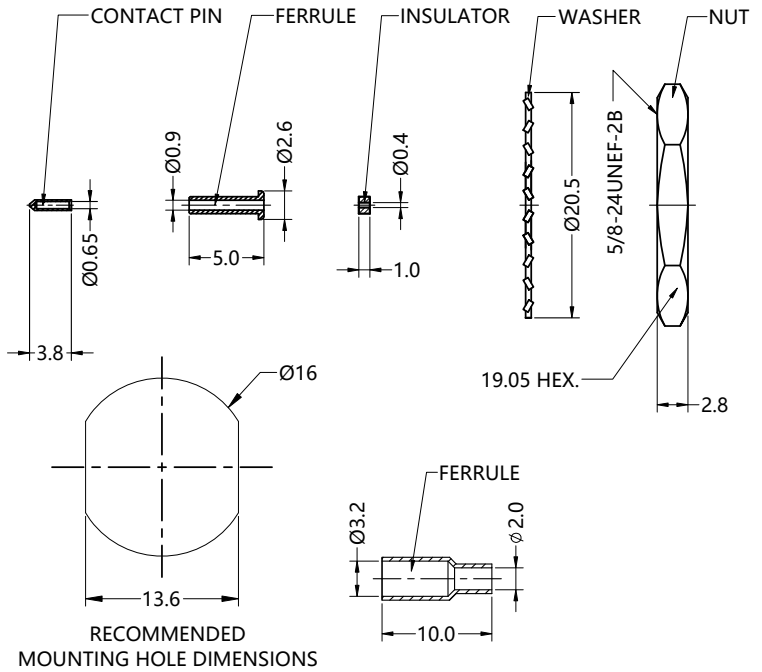
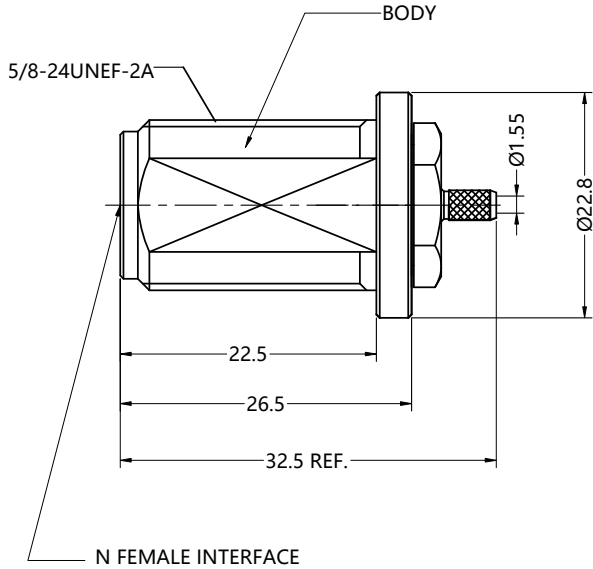


REV.	DESCRIPTION	ECN NO.	NAME	DATE	 ALL PARTS MUST MEET TO RoHS REQUIREMENTS
1	NEW FRAME	N/A	GUO	2020-08-11	
2	UPDATE DRAWING	N/A	HYH	2021-06-30	

REMARKS:
 1.CONTACT PIN TO SOLDER
 2.CRIMP FERRULE FOR .130" HEX.



RECOMMENDED CABLE STRIPPING DIM'S



MATERIALS AND PLATING		UNIT: MICRO-INCHES
PART NAME	MATERIALS	PLATING
BODY/SHELL	BRASS C3604	NICKEL PL.200 u"/COPPER
INSULATOR	PTFE MIL-P-19468	N/A
CONTACT PIN	BE-CU C17300	GOLD PL.30 u"/NICKEL/COPPER
FERRULE	BRASS	NICKEL PL.200 u"/COPPER
GASKET	SILICONE	N/A
CONTACT PIN	BRASS	GOLD PL.30 u"/NICKEL/COPPER

ELECTRICAL CHARACTERISTICS	
IMPEDANCE	50 Ω
VOLTAGE RATING	335 V(rms)
FREQUENCY RANGE	0~3 GHz
DIELECTRIC WITHSTANDING VOLTAGE	>1000 V
CONTACT RESISTANCE	CENTER CONTACT <1.0 mΩ
	OUTER CONTACT <0.2 mΩ
INSULATION RESISTANCE	>5000 MΩ
INSERTION LOSS	N/A
VSWR	<1.30 @0~2.5GHz

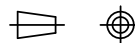
MECHANICAL CHARACTERISTICS	
FORCE TO ENGAGE AND DISENGAGE	N/A
CENTER CONTACT RETENTION FORCE	>6 lbs
RECOMMENDED COUPLING TORQUE	>15 in-lbs
COUPLING NUT RETENTION FORCE	N/A
DURABILITY	>500 cycles

ENVIRONMENTAL PARAMETER	
TEMPERATURE RANGE	-40 °C~+165 °C
THERMAL SHOCK	US MIL- STD 202, Meth. 107,Cond. B
VIBRATION	USMIL- STD 202, Meth. 204,Cond. B
SHOCK	USMIL- STD 202, Meth. 213,Cond. I
CLIMATIC CLASS	IEC 60068 65/165/21
WATERPROOF	IP67

*** CUSTOMER OUTLINE DRAWING**

UNLESS OTHERWISE SPECIFIED:
 1) EDGES : C0.15 MAX ;
 2) REMOVE ALL BURRS ;
 3) SURFACE ROUGHNESS : Ra1.6 ;
 4) UNITS : mm ;
 5) DIMENSIONS TOLERANCES
 DECIMALS : .x ±0.3 .xx ±0.2 .xxx±0.1;
 ANGLES : ± 5°.

THIRD ANGLE PROJECTION



APPROVED :	CUSTOMER P/N :
CHECKED :	SCALE :
DRAWING :	DATE :
HYH	2021-06-30
	PAGE : 1/1

CUSTOMER P/N :	-
SCALE :	3:2
DATE :	2021-06-30
PAGE :	1/1



TITLE :	N FEMALE S/T BULKHEAD FOR RG178 CABLE,50Ω
DRAWING NO. :	5NCF31S-A03
COMPANY WEBSITE :	www.slkcorp.com

CUSTOMER OUTLINE DRAWING