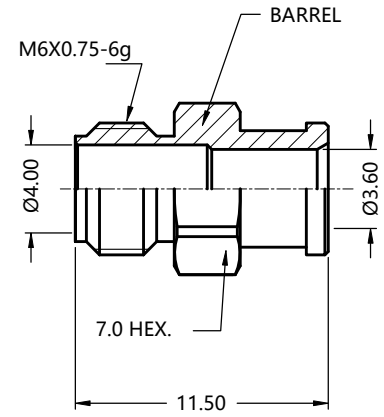
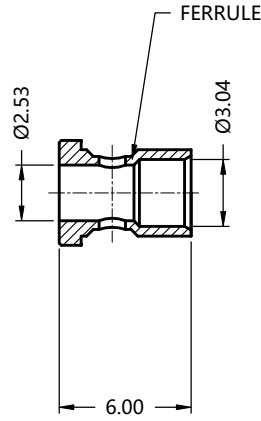
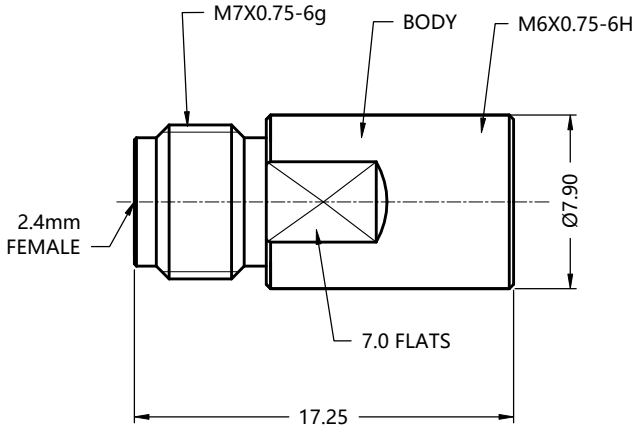
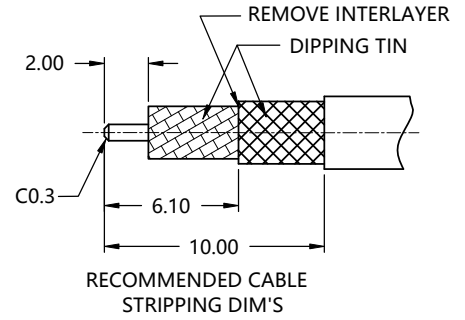


REV.	DESCRIPTION	ECN NO.	NAME	DATE
0	FIRST EDITION	N/A	Liu	2021-06-24
1	Update the drawing	N/A	Liu	2021-06-28



ALL PARTS MUST MEET TO RoHS REQUIREMENTS

NOTES:  
 1.CONTACT PIN TO CAPTIVE  
 2.FERRULE TO SOLDER  
 3.ADDS SIZE : 10.05 mm



MATERIALS AND PLATING		UNIT: MICRO-INCHES
PART NAME	MATERIALS	PLATING
BODY	STAINLESS STEEL	PASSIVATION
INSULATOR	PEI	N/A
CONTACT PIN	BeCu C17300	GOLD 50 u"/COPPER
FERRULE	BRASS C3604	GOLD 10 u" / NICKEL/COPPER
BARREL	STAINLESS STEEL	PASSIVATION

ELECTRICAL CHARACTERISTICS	
IMPEDANCE	50 Ω
VOLTAGE RATING	175 V(rms)
FREQUENCY RANGE	0 ~ 50 GHz
DIELECTRIC WITHSTANDING VOLTAGE	> 500 V
CONTACT RESISTANCE	CENTER CONTACT
	OUTER CONTACT
INSULATION RESISTANCE	> 1000 MΩ
INSERTION LOSS	< 0.1X <sub>f</sub> GHz dB
VSWR	< 1.30
3RD INTERMODULATION	N/A

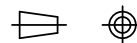
MECHANICAL CHARACTERISTICS	
FORCE TO ENGAGE AND DISENGAGE	N/A
CENTER CONTACT RETENTION FORCE	> 6 lbs
RECOMMENDED COUPLING TORQUE	N/A
COUPLING NUT RETENTION FORCE	N/A
DURABILITY	> 500 cycles

ENVIRONMENTAL PARAMETER	
TEMPERATURE RANGE	-40 °C ~ +125 °C

\* CUSTOMER OUTLINE DRAWING

UNLESS OTHERWISE SPECIFIED:  
 1) EDGES : C0.15 MAX ;  
 2) REMOVE ALL BURRS ;  
 3) SURFACE ROUGHNESS : Ra1.6 ;  
 4) UNITS : mm ;  
 5) DIMENSIONS TOLERANCES  
 DECIMALS : .x ±0.3 .xx ±0.2 .xxx±0.1;  
 ANGLES : ± 5°.

THIRD ANGLE PROJECTION



APPROVED :

CUSTOMER P/N :

CHECKED :

SCALE :

3: 1

DRAWING :

DATE : 2021-06-28

PAGE : 1/1



TITLE : 2.4mm FEMALE S/T CLAMP FOR HF-130E CABLE,50Ω

DRAWING NO. :

5P4F15S-A228

COMPANY WEBSITE : www.slkcorp.com

CUSTOMER OUTLINE DRAWING