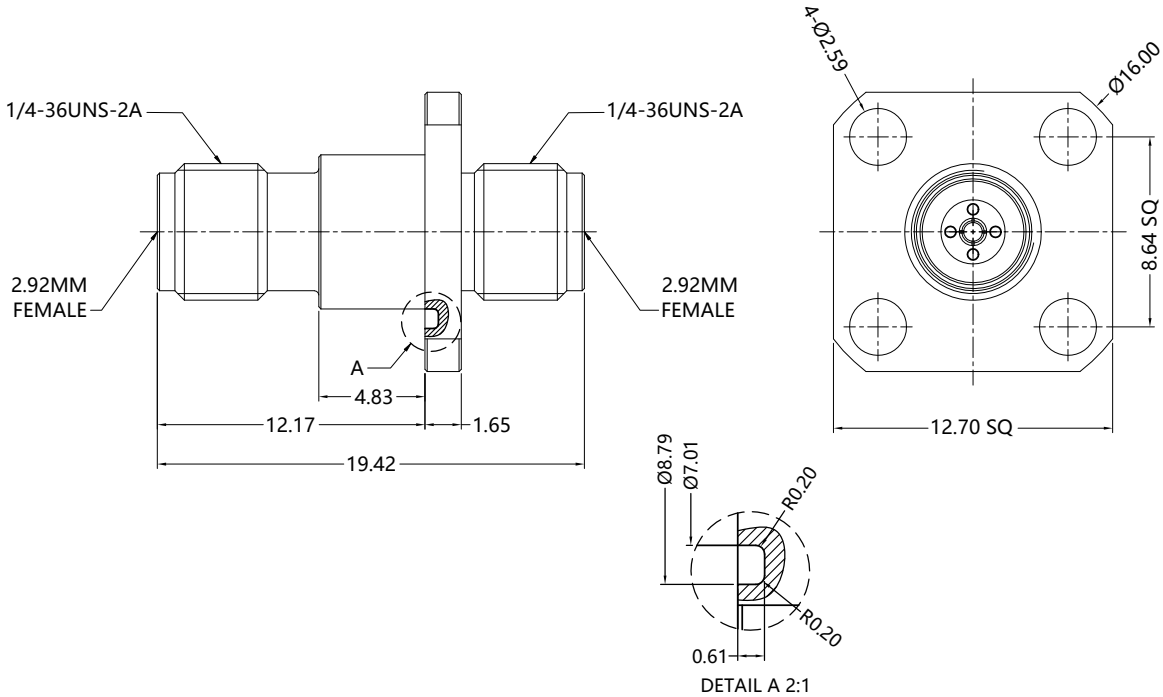


REV.	DESCRIPTION	ECN NO.	NAME	DATE
0	FIRST EDITION	N/A	PY	2021-07-09



ALL PARTS MUST MEET TO RoHS REQUIREMENTS



MATERIALS AND PLATING		UNIT: MICRO-INCHES
PART NAME	MATERIALS	PLATING
BODY	STAINLESS STEEL	PASSIVATION
CONTACT PIN	Be-Cu C17300	GOLD PL./COPPER
INSULATOR	ULTEM 1000 PEI	N/A

ELECTRICAL CHARACTERISTICS	
IMPEDANCE	50 Ω
VOLTAGE RATING	250 V(rms)
FREQUENCY RANGE	DC ~ 40 GHz
DIELECTRIC WITHSTANDING VOLTAGE	> 750 V
CONTACT RESISTANCE	CENTER CONTACT < 4.0 mΩ
	OUTER CONTACT < 2.0 mΩ
INSULATION RESISTANCE	> 5000 MΩ
INSERTION LOSS	< 0.04x√F(GHz) dB
VSWR	< 1.20
3RD INTERMODULATION	N/A

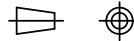
MECHANICAL CHARACTERISTICS	
FORCE TO ENGAGE AND DISENGAGE	N/A
CENTER CONTACT RETENTION FORCE	> 6 lbs
RECOMMENDED COUPLING TORQUE	N/A
COUPLING NUT RETENTION FORCE	N/A
DURABILITY	> 500 cycles

ENVIRONMENTAL PARAMETER	
TEMPERATURE RANGE	-55 °C ~ +165 °C
Corrosion	US MIL- STD 202, Meth. 101,Cond. B
Vibration	US MIL- STD 202, Meth. 204,Cond. D
Shock	US MIL- STD 202, Meth. 213,Cond. I
Thermal Shock	US MIL- STD 202, Meth. 107,Cond. B

*** CUSTOMER OUTLINE DRAWING**

UNLESS OTHERWISE SPECIFIED:
 1) EDGES : C0.15 MAX ;
 2) REMOVE ALL BURRS ;
 3) SURFACE ROUGHNESS : Ra1.6 ;
 4) UNITS : mm ;
 5) DIMENSIONS TOLERANCES
 DECIMALS : .x ±0.3 .xx ±0.2 .xxx±0.1 ;
 ANGLES : ± 5°.

THIRD ANGLE PROJECTION



APPROVED :

CUSTOMER P/N :
2081945-3

CHECKED :

SCALE :
1 : 1

DRAWING :

DATE : 2020-07-09

PAGE : 1/1



TITLE : 2.92mm FEMALE TO 2.92mm FEMALE ADAPTER

DRAWING NO. : 5P9F06S-P9F-018

COMPANY WEBSITE : www.slkcorp.com

CUSTOMER OUTLINE DRAWING