
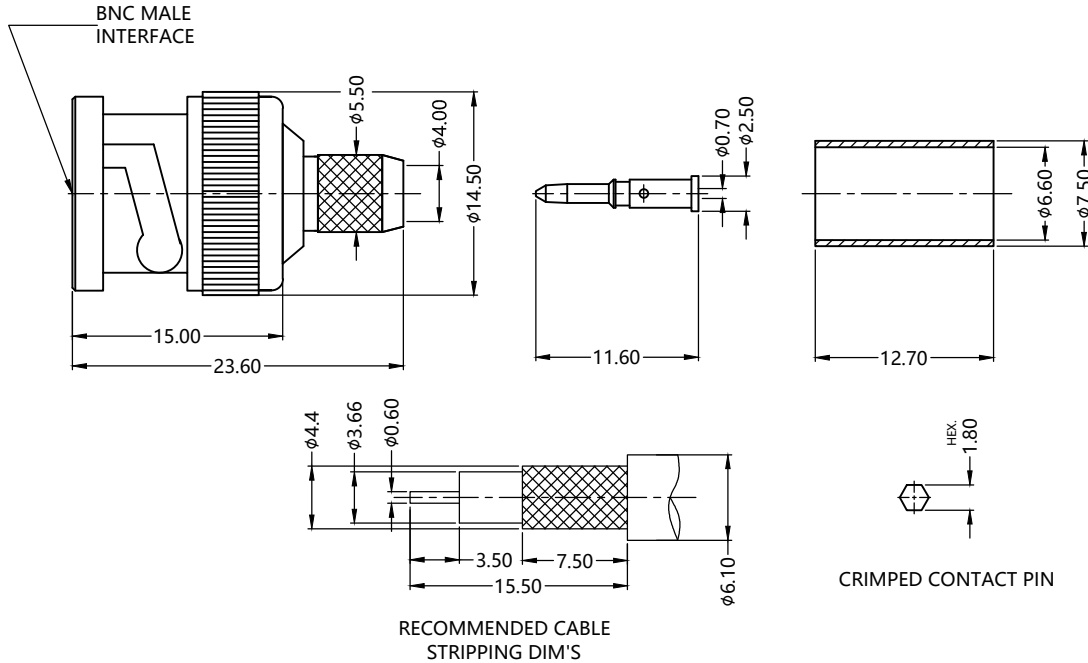


REV.	DESCRIPTION	ECN NO.	NAME	DATE	 ALL PARTS MUST MEET TO RoHS REQUIREMENTS
A0	FIRST EDITION	N/A	YWD	2017-05-05	
A1	NEW FRAME	N/A	HYH	2020-06-28	

REMARKS:

- CONTACT PIN TO SOLDER OR CRIMP
- CRIMPED FERRULE HEX. CRIMP SIZE .255"



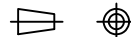
MATERIALS AND PLATING			UNIT: MICRO-INCHES		ELECTRICAL CHARACTERISTICS		
PART NAME	MATERIALS	PLATING					
BODY	BRASS C3604	SILVER PL. 40u"/COPPER	IMPEDANCE		75 Ω		
SHELL	BRASS C3602	SILVER PL. 40u"/COPPER	VOLTAGE RATING		500 V(rms)		
CONTACT PIN	BRASS C3602	SILVER PL. 40u"/COPPER	FREQUENCY RANGE		0 ~ 2 GHz		
INSULATOR	PTFE ASTM-D-1710	N/A	DIELECTRIC WITHSTANDING VOLTAGE		>1500 V		
			CONTACT RESISTANCE		CENTER CONTACT	<1.5 mΩ	
					OUTER CONTACT	<0.2 mΩ	
			INSULATION RESISTANCE		>5000 MΩ		
			INSERTION LOSS		<0.2 dB		
			VSWR		<1.20		
			3RD INTERMODULATION		N/A		
MECHANICAL CHARACTERISTICS			ENVIRONMENTAL PARAMETER				
FORCE TO ENGAGE AND DISENGAGE		N/A		TEMPERATURE RANGE		-65 °C~+165 °C	
RECOMMENDED COUPLING TORQUE		N/A		VIBRATION		MIL- STD 202, Meth. 102,Cond. D	
BAYONET RETENTION FORCE		>100 lbs		SHOCK		MIL- STD 202, Meth. 202	
DURABILITY		>500 cycles		CORROSION		MIL- STD 202, Meth. 101,Cond. B	

* CUSTOMER OUTLINE DRAWING

UNLESS OTHERWISE SPECIFIED:

- EDGES : C0.15 MAX ;
- REMOVE ALL BURRS ;
- SURFACE ROUGHNESS : Ra1.6 ;
- UNITS : mm ;
- DIMENSIONS TOLERANCES
DECIMALS : .x ±0.3 .xx ±0.2 .xxx±0.1;
ANGLES : ± 5°.

THIRD ANGLE PROJECTION



APPROVED :

CUSTOMER P/N :

CHECKED :

SCALE :

1: 1

DRAWING :

HYH

DATE : 2020-06-28

PAGE : 1/1

SLK
SUPERLINK

TITLE : BNC FEMALE S/T CRIMP FOR RG59 CABLE,75Ω

DRAWING NO. : 7BNM11S-A10-020

COMPANY WEBSITE : www.slkcorp.com