

SFC-120

High Performance Microwave Coax Cable

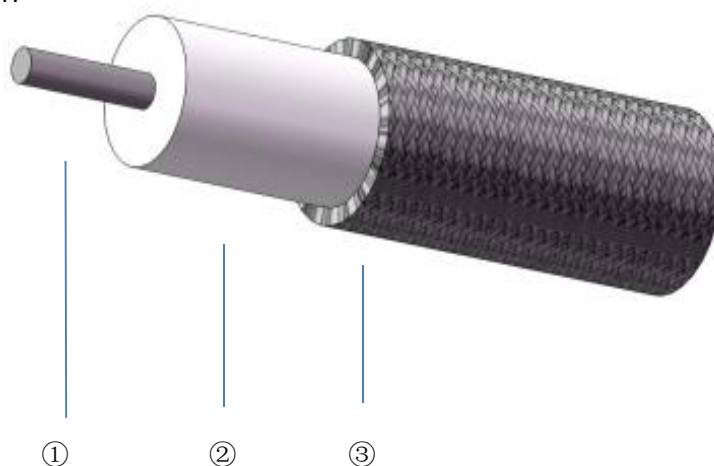
Product Description

Surperlink SFC series coaxial cable is a standard semi flexible cable. It can be able to operate up to 40 GHz. SFC is ideal for microwave applications and has the ability to be stripped and formed into position without the need for any specialist tools. Traditional cut-and-strip machines can be used for the processing of the cable.

Feature & Benefit

- Standard Coaxial Cable
- It can be repalced for Sucoform-47
- Low Loss

Product Structure



	①Center Conductor	②Dielectric	③Outer Conductor
Material	SPC	Solid PTFE	Tin Plated Copper
Size (mm)	0.29±0.03	0.92±0.05	1.20±0.15

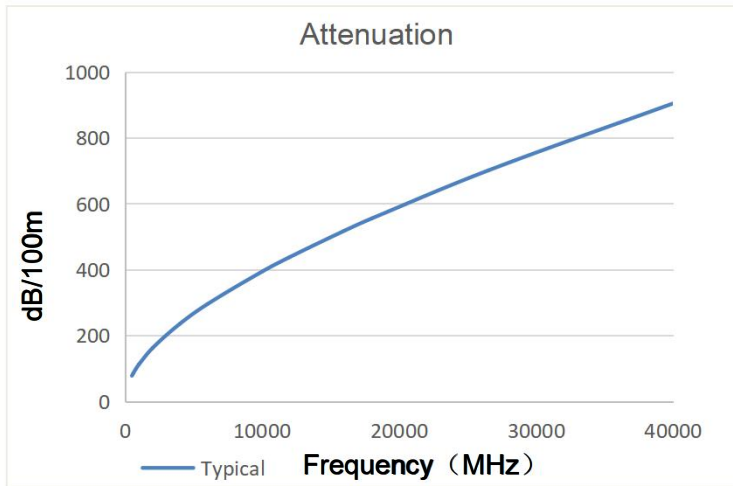
Specifications

Impedance	50Ω
Operation Frequency	40GHz
Velocity of Propagation	70%
Shielding Effectiveness	90dB
Voltage Withstand	2000V,DC
Capactiance	98pF/m
Weight	6g/m
Temp, Operating&Installation	-65~165°C
Temp,Storage	-65~165°C
Bend Radius:installation	3.5mm

The rights of technical information provided on the sheet belongs to Superlink.Contents cannot be provided to other third-companies without permission.

Shenzhen Superlink Technology Co.,Ltd
 Website: www.slkcorp.com
 Tel: +86 755-89814648

Attenuation (Typical@25°C VSWR=1.0)



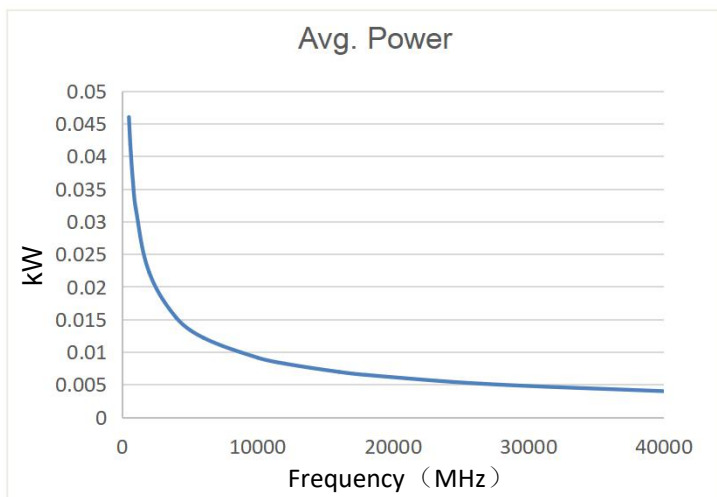
Frequency(MHz)	Attenuation (dB/100m)
500	78.0
600	85.7
800	99.6
1000	112.0
2000	161.8
4000	235.7
6000	295.0
10000	394.0
12000	437.7
16000	517.9
18000	555.3
26500	700.9
40000	904.4

$$K1= 3.358000$$

$$K2= 0.005820$$

$$\text{Attenuation}=K1* \sqrt{F}+K2*F$$

Power (40°C VSWR=1.0 Sea Level)



Frequency(MHz)	Avg.Power (kW)
500	0.046
600	0.042
800	0.036
1000	0.032
2000	0.022
4000	0.015
6000	0.012
10000	0.009
12000	0.008
16000	0.007
18000	0.006
26500	0.005
40000	0.004

Ver A-1