

# SFC-640

High Performance Microwave Coax Cable

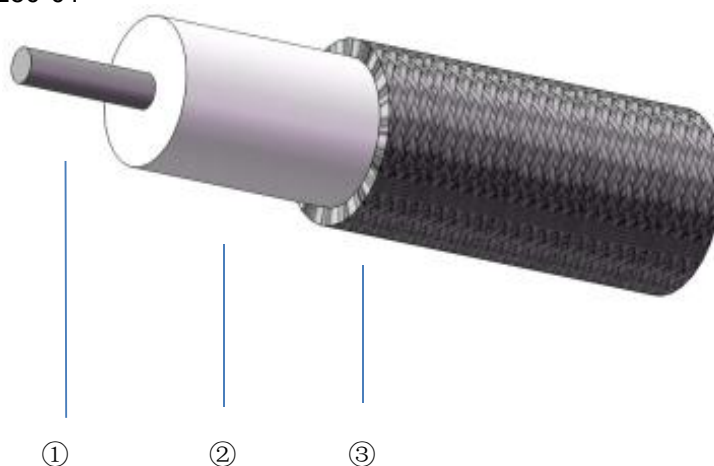
## Product Description

Surperlink SFC series coaxial cable is a standard semi flexible cable. It can be able to operate up to 40 GHz. SFC is ideal for microwave applications and has the ability to be stripped and formed into position without the need for any specialist tools. Traditional cut-and-strip machines can be used for the processing of the cable.

## Feature & Benefit

- Standard Coaxial Cable
- It can be repalced for Sucoform-250-01
- Low Loss

## Product Structure



	①Center Conductor	②Dielectric	③Outer Conductor
Material	SPC	Solid PTFE	Tin Plated Copper
Size (mm)	1.67±0.05	5.31±0.08	6.40±0.15

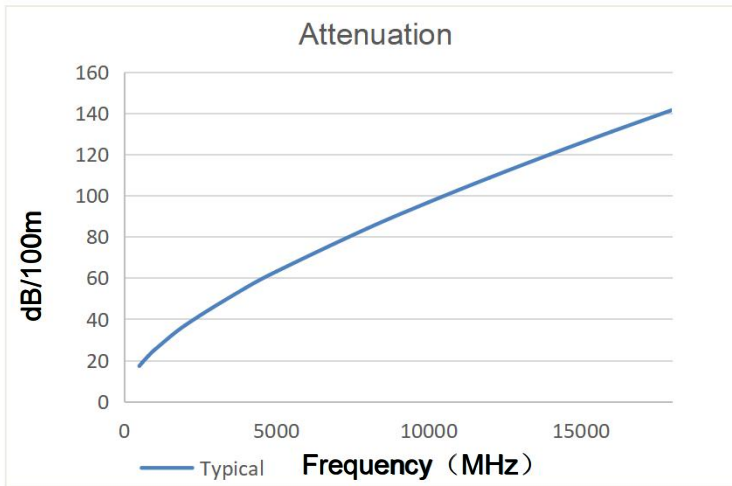
## Specifications

Impedance	50Ω
Operation Frequency	18GHz
Velocity of Propagation	70%
Shielding Effectiveness	90dB
Voltage Withstand	3000V,DC
Capactiance	98pF/m
Weight	130g/m
Temp, Operating&Installation	-65~165℃
Temp,Storage	-65~165℃
Bend Radius:installation	30mm
Bend Radius:repeated	120mm

The rights of technical information provided on the sheet belongs to Superlink.Contents cannot be provided to other third-companies without permission.

Shenzhen Superlink Technology Co.,Ltd  
 Website: [www.slkcorp.com](http://www.slkcorp.com)  
 Tel: +86 755-89814648

## Attenuation (Typical@25°C VSWR=1.0)



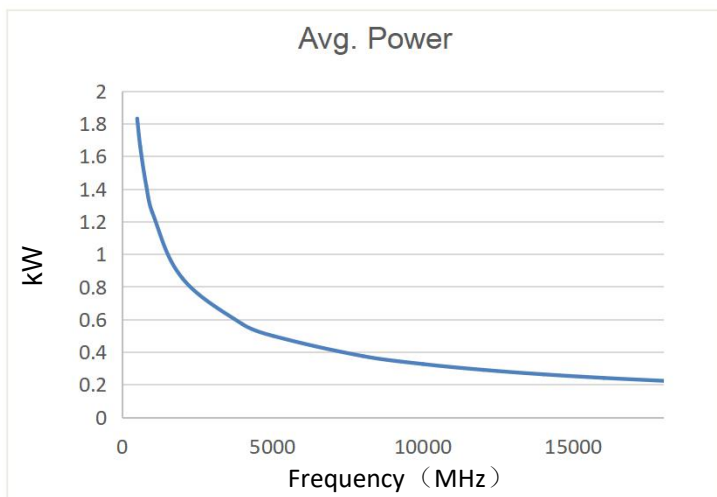
Frequency(MHz)	Attenuation (dB/100m)
500	17.2
600	18.9
800	22.1
1000	25.0
2000	36.9
4000	55.2
5000	63.1
8000	84.1
10000	96.7
12000	108.6
14000	120.0
16000	130.9
18000	141.5

$$K1= 0.710486$$

$$K2= 0.002565$$

$$\text{Attenuation}=K1* \sqrt{F}+K2*F$$

## Power (40°C VSWR=1.0 Sea Level)



Frequency(MHz)	Avg.Power (kW)
500	1.831
600	1.660
800	1.419
1000	1.256
2000	0.852
4000	0.570
5000	0.498
8000	0.374
10000	0.325
12000	0.289
14000	0.262
16000	0.240
18000	0.222

Ver A-1