

# SPB-390

High Performance Microwave Coax Cable

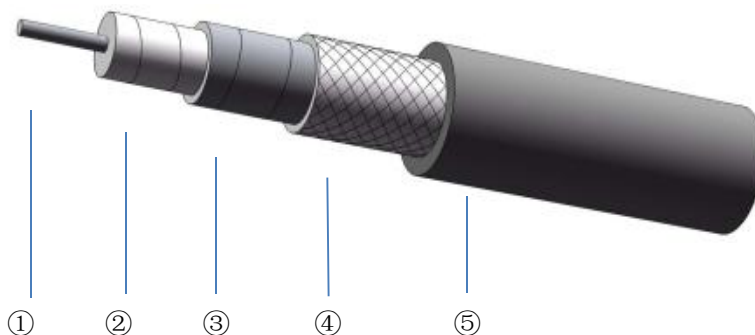
## Product Description

Superlink SPB series coaxial cable is constructed with low density PTFE dielectric and silver plated copper foil and has very low loss. It keeps a high phase stability and amplitude stability while bending. Performance hardly vary in broad frequency range. It can be applied to most of harsh conditions which require strict standard like military radar, electronic warfare and airborne equipment.

## Feature & Benefit

- 82%Vp PTFE Tape+SPC Foil
- Multi-layer protection, Ultra low loss
- Excellent Temp Phase Stable

## Product Structure

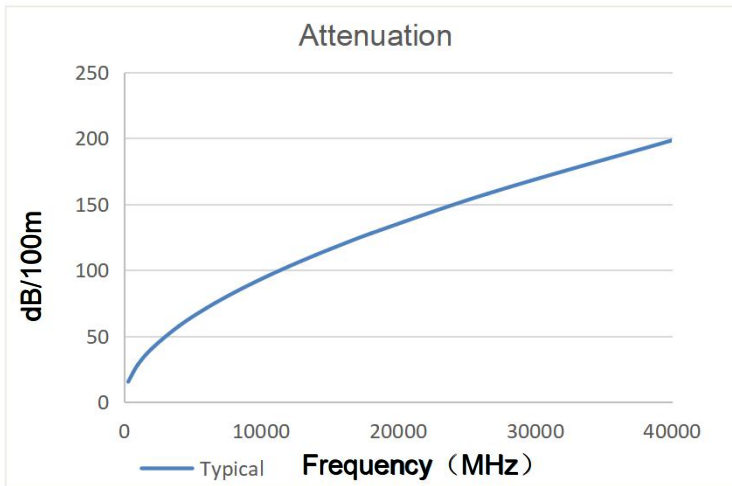


	①Center Conductor	②Dielectric	③Outer Conductor	④Outer shield	⑤Jacket
Material	SPC	LD PTFE	SPC	SPC	FEP
Size (mm)	1.06±0.02	2.95±0.05	3.15±0.05	3.55±0.08	3.90±0.10

## Specifications

Impedance	50Ω
Operation Frequency	40GHz
Velocity of Propagation	82%
Shielding Effectiveness	90dB
Voltage Withstand	900V,DC
Time Delay	4.06ns/m
Phase Stability(Bending)	±10° 40GHz
Amplitude Stability	±0.15dB 40GHz
Bend Radius:repeated	40mm
Bend Radius:installation	20mm
Weight	38g/m
Temp, Operating&Installation	-55~165°C
Temp, Storage	-65~165°C

## Attenuation (Typical@25°C VSWR=1.0)



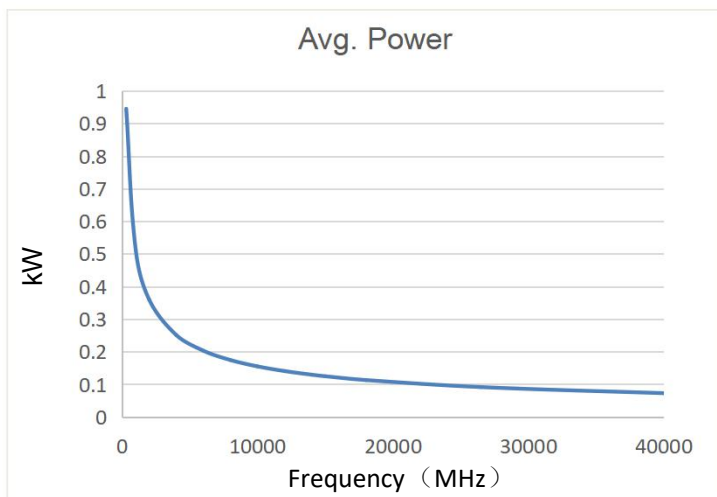
Frequency(MHz)	Attenuation (dB/100m)
300	15.3
1000	28.1
2000	40.1
4000	57.5
6000	71.1
8000	82.7
10000	93.1
12000	102.6
14000	111.5
15000	115.7
18000	127.7
26500	157.8
40000	198.4

$$K1= 0.869964$$

$$K2= 0.000611$$

$$\text{Attenuation}=K1* \sqrt{F}+K2*F$$

## Power (40°C VSWR=1.0 Sea Level)



Frequency(MHz)	Avg.Power (kW)
300	0.945
1000	0.513
2000	0.359
4000	0.251
6000	0.203
8000	0.174
10000	0.155
12000	0.140
14000	0.129
15000	0.125
18000	0.113
26500	0.091
40000	0.073

Ver A-1