

SPO-360-D3K

High Performance Microwave Coax Cable

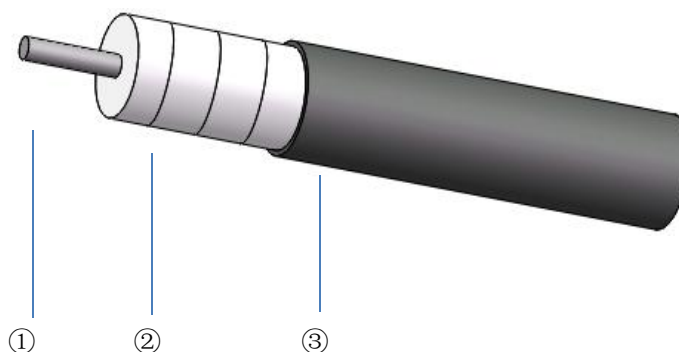
Product Description

Superlink SPO series is an optimized version of traditional semi-rigid cable. It offers a lower loss, less weight and wider temperature range due to it adopts advanced PTFE wrapped dielectric to replace the solid PTFE dielectric. Meanwhile it has superior shielding effectiveness and corrosion resistance. It is applied to interconnection between cards, satellite communication, feed network, etc.

Feature & Benefit

- LD PTFE Tape
- Ultra low loss,excellent size stable vs.temp

Product Structure

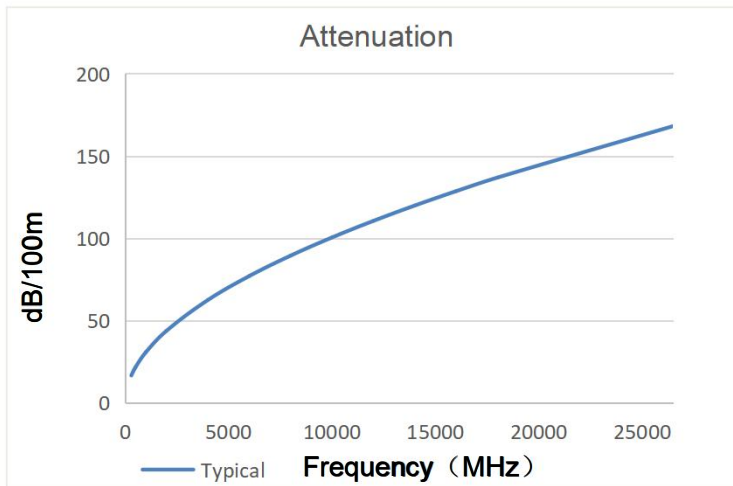


	①Center Conductor	②Dielectric	③Outer Conductor
Material	SPC	LD PTFE	Seamless Copper Tube Tri-Metal Plating
Size (mm)	1.05±0.02	3.00±0.05	3.60±0.06

Specifications

Impedance	50Ω
Operation Frequency	26.5GHz
Velocity of Propagation	82%
Shielding Effectiveness	165dB
Voltage Withstand	1300V,DC
Bend Radius:installation	12.5mm
Weight	45g/m
Temp, Operating&Installation	-55~250℃
Temp,Storage	-65~250℃

Attenuation (Typical@25°C VSWR=1.0)



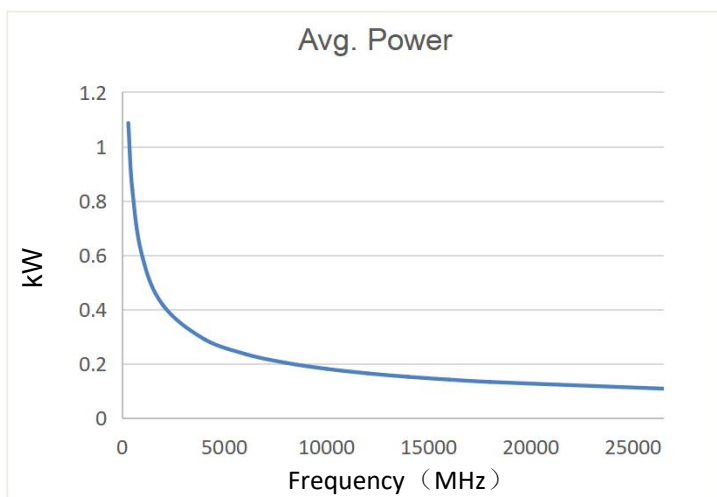
Frequency(MHz)	Attenuation (dB/100m)
300	16.8
500	21.7
1000	30.8
2000	43.9
4000	62.5
6000	77.1
8000	89.5
10000	100.5
12000	110.6
14000	119.9
16000	128.6
18000	136.9
26500	168.1

$$K1= 0.961145$$

$$K2= 0.000440$$

$$\text{Attenuation}=K1* \sqrt{F}+K2*F$$

Power (40°C VSWR=1.0 Sea Level)



Frequency(MHz)	Avg.Power (kW)
300	1.086
500	0.839
1000	0.591
2000	0.415
4000	0.291
6000	0.236
8000	0.204
10000	0.181
12000	0.165
14000	0.152
16000	0.142
18000	0.133
26500	0.108

Ver A-1