

# Sflex-170

High Performance Microwave Coax Cable

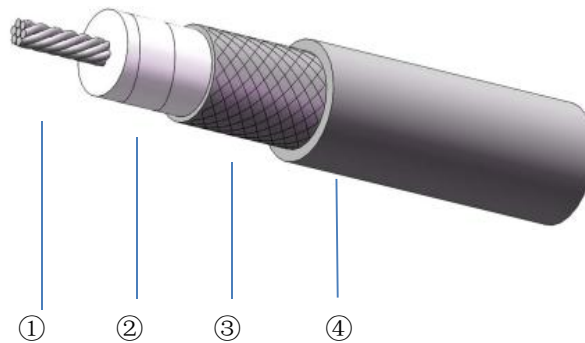
## Product Description

Surperlink Sflex series coaxial cable is an extreme flexible high performance coaxial cable. All structure in it are designed for flexibility. It is applied to various application which require ultra-flexibility for the cable.

## Feature & Benefit

- LD PTFE+SPC Foil
- Ultra bending performance

## Product Structure



	①Center Conductor	②Dielectric	③Outer Conductor	④Jacket
Material	SPC	LD PTFE	SPC	PUR
Size (mm)	0.29±0.02	0.81±0.05	1.00±0.1	1.70±0.10

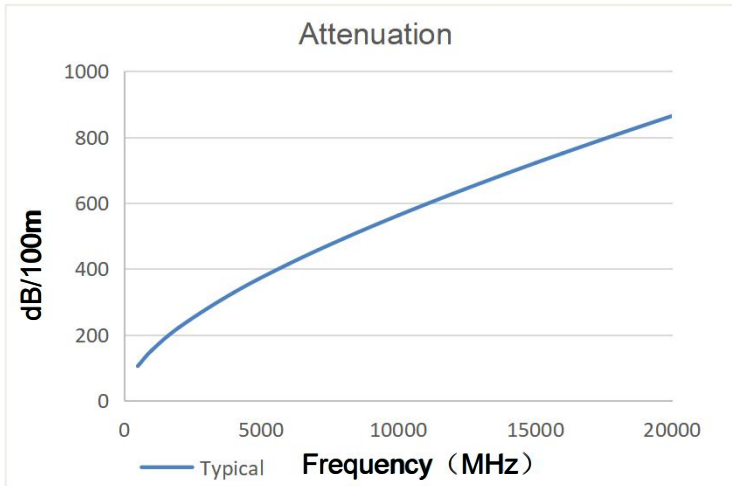
## Specifications

Impedance	50Ω
Operation Frequency	20GHz
Velocity of Propagation	76%
Shielding Effectiveness	90dB
Voltage Withstand	500V,DC
Time Delay	4.38ns/m
Bend Radius:repeated	17mm
Bend Radius:installation	8mm
Weight	6g/m
Temp, Operating&Installation	-40~85°C
Temp,Storage	-40~85°C

The rights of technical information provided on the sheet belongs to Superlink. Contents cannot be provided to other third-companies without permission.

Shenzhen Superlink Technology Co.,Ltd  
 Website: [www.slkcorp.com](http://www.slkcorp.com)  
 Tel: +86 755-89814648

Attenuation (Typical@25°C VSWR=1.0)



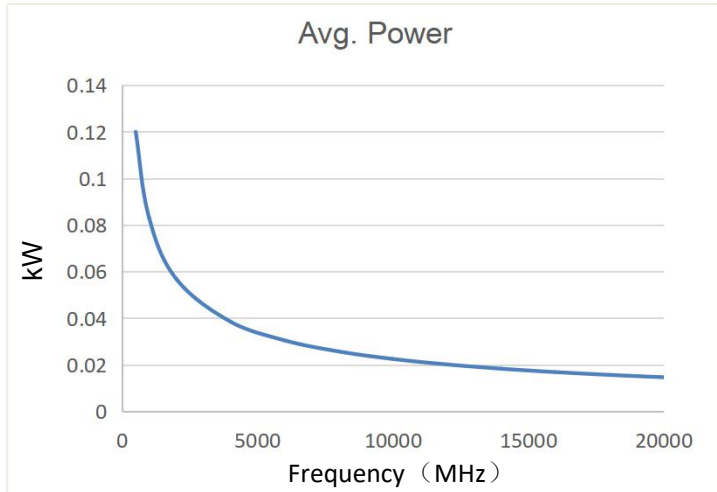
Frequency(MHz)	Attenuation (dB/100m)
500	105.2
1000	152.2
2000	222.2
4000	328.1
6000	414.8
8000	491.6
10000	562.1
12000	628.1
14000	690.7
15000	721.0
16000	750.6
18000	808.3
20000	864.2

K1= 4.440000

K2= 0.011813

$$\text{Attenuation} = K1 * \sqrt{F} + K2 * F$$

### Power (40°C VSWR=1.0 Sea Level)



Frequency(MHz)	Avg.Power (kW)
500	0.120
1000	0.083
2000	0.057
4000	0.038
6000	0.030
8000	0.026
10000	0.022
12000	0.020
14000	0.018
15000	0.018
16000	0.017
18000	0.016
20000	0.015

Ver A-1