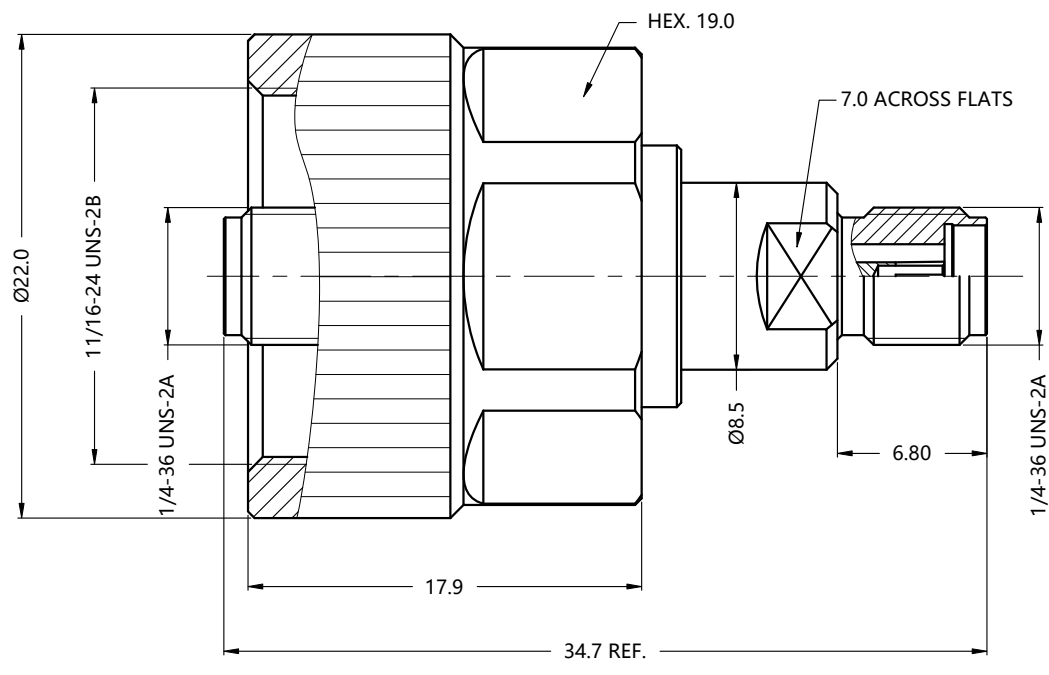


REV.	DESCRIPTION	ECN NO.	NAME	DATE
0	FIRST EDITION	N/A	SYH	2021-04-09



ALL PARTS MUST MEET TO RoHS REQUIREMENTS



MATERIALS AND PLATING		UNIT: MICRO-INCHES
PART NAME	MATERIALS	PLATING
BODY/SHELL	STAINLESS STEEL 316F	PASSIVATION
INSULATOR	PEI	N/A
CONTACT PIN	BeCu C17300	PL.GOLD/NICKEL/COPPER

ELECTRICAL CHARACTERISTICS	
IMPEDANCE	50 Ω
VOLTAGE RATING	250 V(rms)
FREQUENCY RANGE	DC ~ 40 GHz
DIELECTRIC WITHSTANDING VOLTAGE	>750 V
CONTACT RESISTANCE	CENTER CONTACT <3.0 mΩ
	OUTER CONTACT <2.0 mΩ
INSULATION RESISTANCE	>5000 MΩ
INSERTION LOSS	<0.42 dB
RETURN LOSS	> 21.5 dB

MECHANICAL CHARACTERISTICS	
FORCE TO ENGAGE AND DISENGAGE	N/A
CENTER CONTACT RETENTION FORCE	>6 lbs
RECOMMENDED COUPLING TORQUE	N/A
	>12 in-lbs(NMD)
COUPLING NUT RETENTION FORCE	>60 lbs
DURABILITY	>500cycles

ENVIRONMENTAL PARAMETER	
TEMPERATURE RANGE	-40 °C~+85 °C
CORROSION	US MIL- STD 202, Meth. 101,Cond. B
VIBRATION	US MIL- STD 202, Meth. 204,Cond. D
SHOCK	US MIL- STD 202, Meth. 213,Cond. I
THERMAL SHOCK	US MIL- STD 202, Meth. 107,Cond. B
MOISTURE RESISTANCE	US MIL- STD 202, Meth. 106

CUSTOMER OUTLINE DRAWING

* CUSTOMER OUTLINE DRAWING

UNLESS OTHERWISE SPECIFIED:
 1) EDGES : C0.15 MAX ;
 2) REMOVE ALL BURRS ;
 3) SURFACE ROUGHNESS : Ra1.6 ;
 4) UNITS : mm ;
 5) DIMENSIONS TOLERANCES
 DECIMALS : .x ±0.3 .xx ±0.2 .xxx±0.1;
 ANGLES : ± 5°.

THIRD ANGLE PROJECTION		
APPROVED :	CUSTOMER P/N :	-
CHECKED :	SCALE :	3:1
DRAWING :	DATE :	2021-04-09
PAGE : 1/1		

SLK
 SUPERLINK

TITLE : 2.92 FEMALE TO 2.92mm FEMALE S/T NMD ADAPTOR ,50 Ω

DRAWING NO. : T-5N9F06S-P9F

COMPANY WEBSITE : www.slkcorp.com